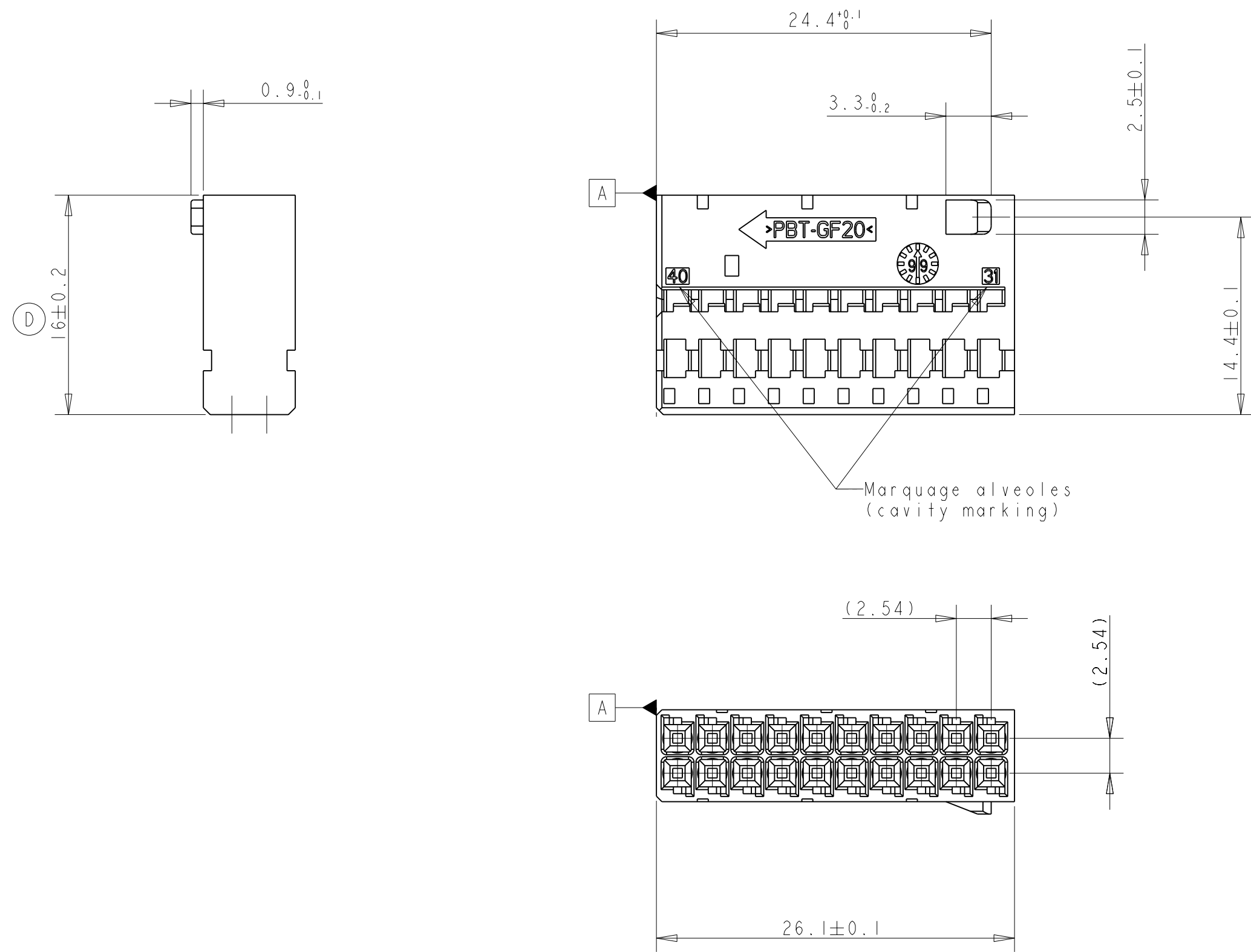
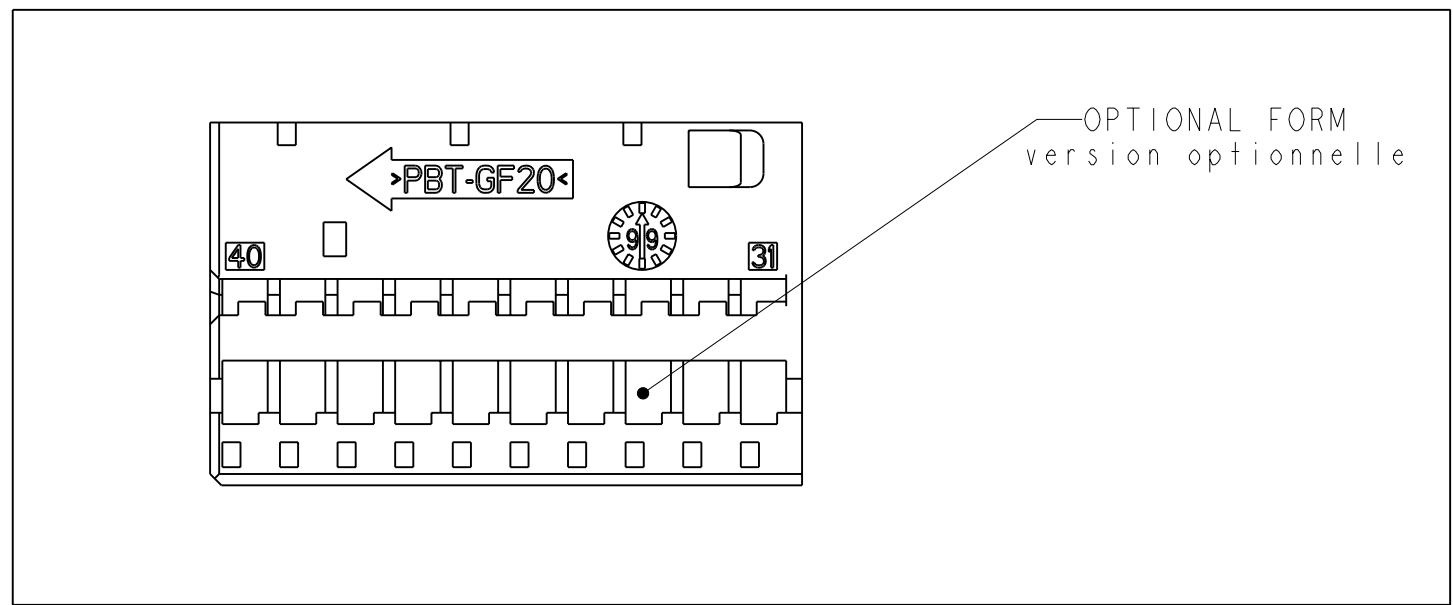


THIS DRAWING IS UNPUBLISHED.  
 DIFFUSION RESTREINTE  
 © COPYRIGHT 20 BY TYCO ELECTRONICS CORPORATION. ALL RIGHTS RESERVED.  
 TOUS DROITS RESERVES

LOC	DIST	REVISIONS			
P	LTR	DESCRIPTION MODIFICATIONS	DATE	DWN DESS.	APVD APP.
		O	ER00-0482-03	17DEC2003	BR JJR
		A	ADDED VIEW WITH OPTIONAL FORM	27SEP2004	MP JJR
		B	ADDED VERSION WITHOUT STAMP	22APR2005	MP XR
		C	953119-1 was 1-953119-1 and 953119-2 was 1-953119-2	10MAY2007	MP XR
		D	DIMENSION 16+/-0.2 WAS 16 0/-0.1	05NOV2010	EC XR



1-953119-4	PBT 20% FV	BLANC (white)	DE 1 A 20	
				ECHELLE 2:1
1-953119-3	PBT 20% FV	NOIR (black)	DE 21 A 40	
				ECHELLE 2:1
953119-1	PBT 20% FV	VERT (green)	DE 21 A 40	
				ECHELLE 2:1
953119-2	PBT 20% FV	MARRON (brown)	DE 1 A 20	
				ECHELLE 2:1
REFERENCE TYCO (P/N TYCO)	MATIERE (material)	COULEUR (color)	Marquage alveoles (cavity marking)	DETROMPAGE (coding)

953119-1 as shown

Notes:  
 Pièces à utiliser avec :  
 -porte module 40 voies MQS ref 953122-x  
 -clips MQS ref 144969-x

To use with:  
 -shield 953119-x  
 -contact MQS 144969-x

<small>THIS DRAWING IS A CONTROLLED DOCUMENT FOR TYCO ELECTRONICS CORPORATION. IT IS SUBJECT TO CHANGE AND THE CONTROLLING ENGINEERING ORGANIZATION SHOULD BE CONTACTED FOR THE LATEST REVISION.          CE PLAN EST UN DOCUMENT CONTRÔLÉ PAR TYCO ELECTRONICS. IL EST SUSCEPTIBLE D'ÊTRE REVISÉ. CONTACTER LE SERVICE TECHNIQUE DE TYCO ELECTRONICS POUR OBTENIR LA DERNIÈRE RÉVISION.</small>		DWN /DESSINE NOV2003 B.R. CHK /VERIFIE NOV2003 J. Daher APVD /APPROUVE NOV2003 JJ REV11 PRODUCT SPEC 108-15178 APPLICATION SPEC - WEIGHT /MASSE APPROX. 1.8 gr	TYCO ELECTRONICS France SAS 95300 PONTOISE, FRANCE
DIMENSIONS: mm 	TOLERANCES UNLESS OTHERWISE SPECIFIED: TOLERANCES NON SPECIFIEES FINISH /FINITION ±5° ANGLES	NAME /TITRE MODULE 20 VOIES MQS Receptacle housing 20 way MQS	SIZE /FORMAT A2 CAGE CODE 00779 DRAWING NO No PLAN C-953119 RESTRICTED TO RESERVE A -
MATERIAL /MATIERE		CUSTOMER DRAWING /PLAN CLIENT	UNIFORMEMENT POUR REFERENCE SCALE ECHELLE 4:1 SHEET FEUILLE 1 OF DE 1 REV D